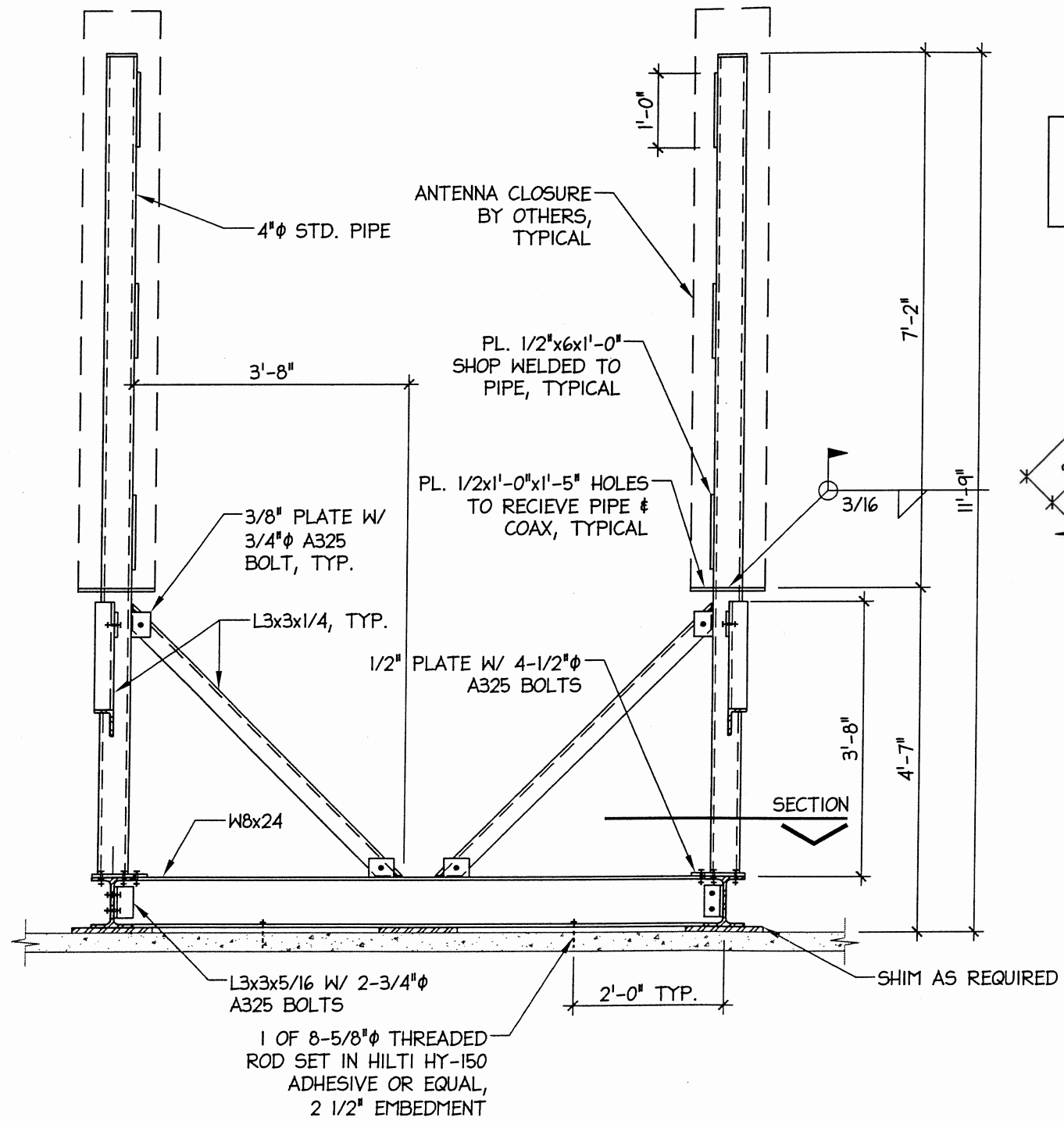
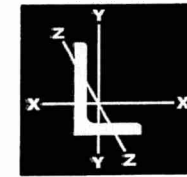


LE PROJECT NO.: 05-00472
 LE FILE NO.: CROSS3



1 SECTION

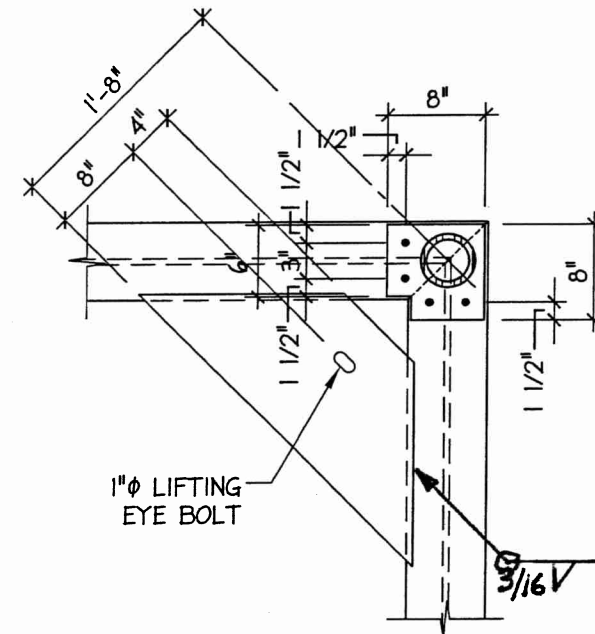
SCALE: 1/2" = 1'-0"



LEHMANN ENGINEERING

1006 Beckett
 San Antonio, TX 78213
 Ph. (210)348-8889
 Fx. (210)348-8884

NOTE:
 REF. ARCHITECTURAL SHEET A6.3
 FOR ATTACHMENT DETAILS OF
 ANTENNA CLOSURE.



SECTION
 SCALE: 3/4" = 1'-0"

ArchComm Design, Inc. Architects
 1840 Lockhill-Selma, Suite 101
 San Antonio, Texas 78213
 (210)308-9905

DARRELL J. LEHMANN
 87794
 LICENSED PROFESSIONAL ENGINEER

CHURCH OF THE REDEEMER
 HO70XC883B
 4411 2/3 DALLAS STREET, HOUSTON, TX 77023 (911 ADDRESS)

SHEET TITLE	
SECTIONS	
SHEET HISTORY	
11.03.05 ISSUE FOR CONSTRUCTION	
1.	
2.	
3.	
4.	
S3	
SA055053	

THESE DRAWINGS ARE THE PROPERTY OF SPRINT PCS. THEY ARE INTENDED FOR THE EXCLUSIVE USE OF THIS PROJECT ONLY. ANY RE-USE OF THESE PLANS (DRAWINGS) WITHOUT THE EXPRESS WRITTEN CONSENT OF SPRINT PCS IS PROHIBITED.