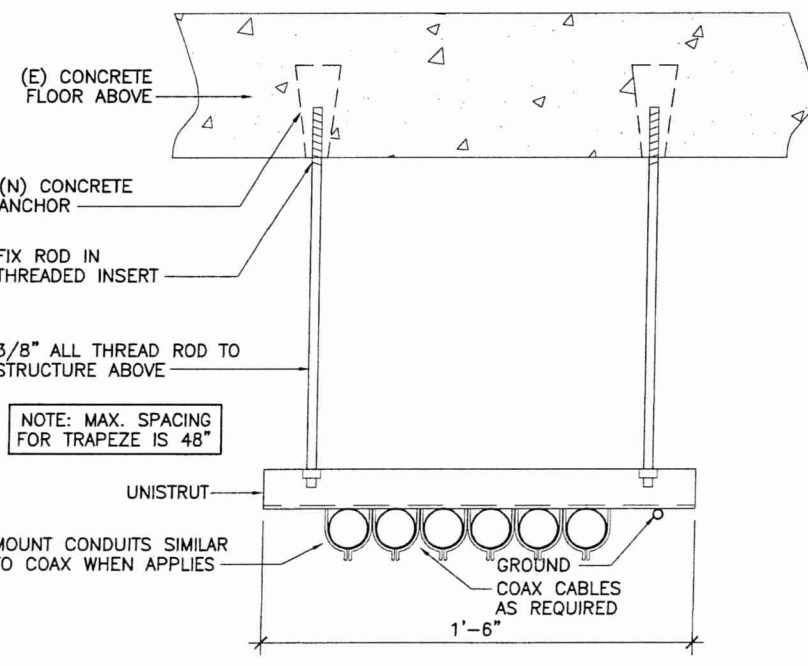
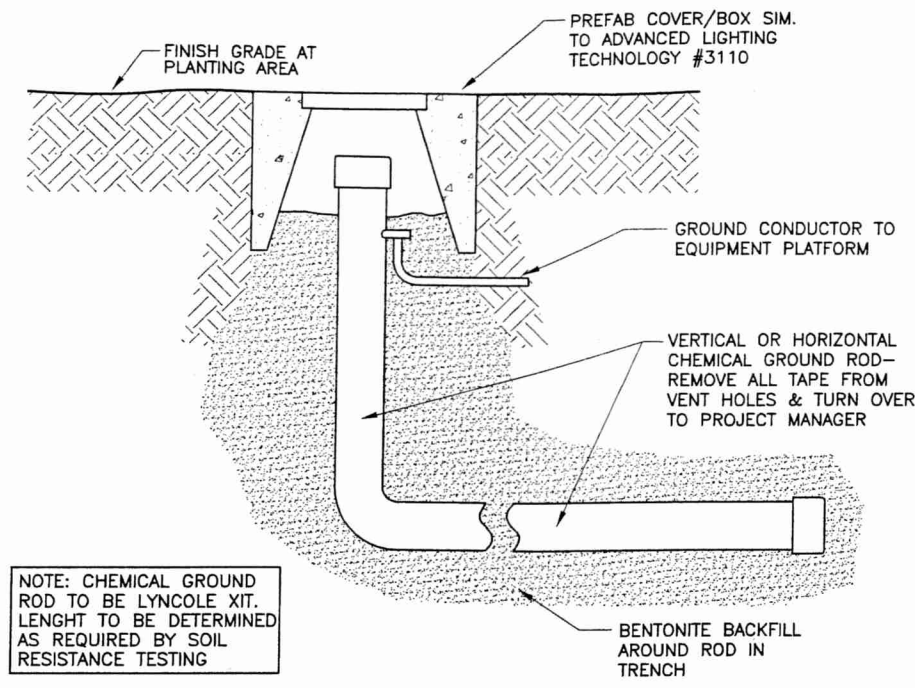


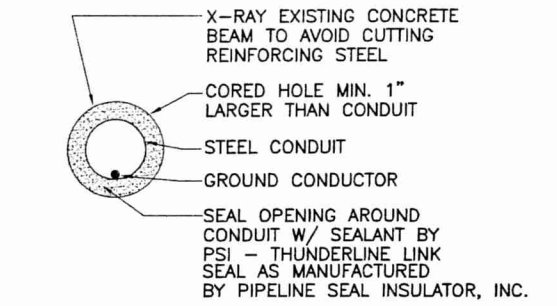
1 SLAB PENETRATION @ RATED OPENINGS
SCALE: N.T.S



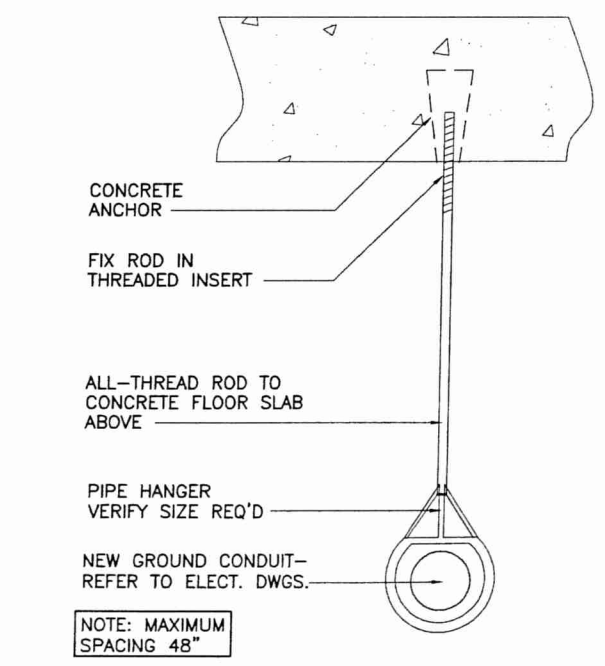
4 COAX /CONDUIT TRAPEZE
SCALE: 1 1/2" = 1'-0"



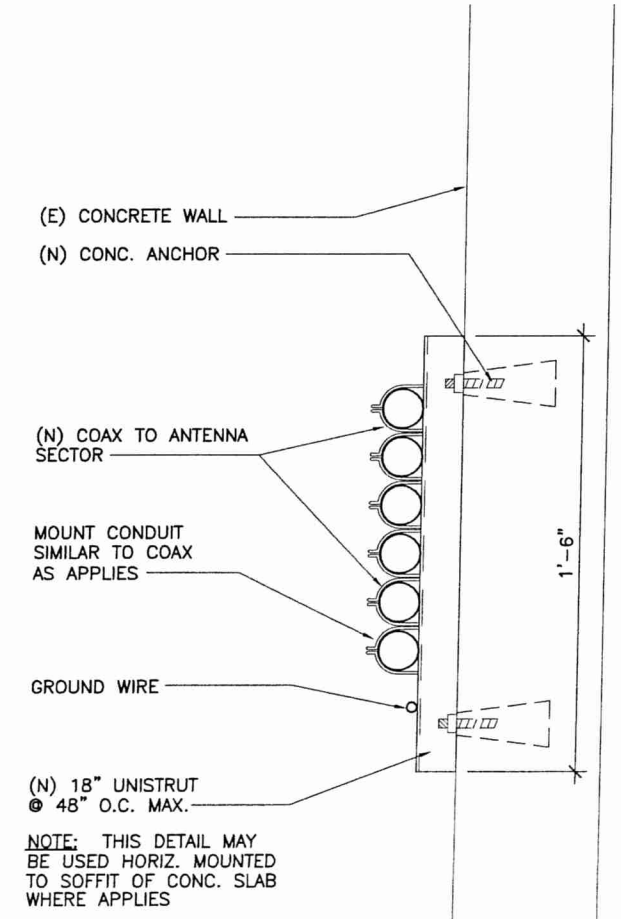
2 CHEMICAL GROUND ROD/ INSPECTION WELL
SCALE: 1" = 1'-0"



3 CONCRETE/MASONRY PENETRATION AT NON RATED WALLS
SCALE: 3" = 1'-0"



5 CONDUIT HANGER DETAIL
SCALE: N.T.S



6 COAX/CONDUIT WALL SUPPORT DETAIL
SCALE: 1 1/2" = 1'-0"

ArchComm Design, Inc. Architects
1840 Lockhill-Selma, Suite 101
San Antonio, Texas 78213
(210)308-9905

DATE: OCT 28 2005
REGISTERED ARCHITECT
JAMES M. HORN
STATE OF TEXAS
EXP. DATE: 02/28/06

Sprint
CHURCH OF THE REDEEMER
HO70XC883B
4411 2/3 DALLAS STREET, HOUSTON, TX 77023 (911 ADDRESS)

SHEET TITLE
DETAILS
SHEET HISTORY
10.28.05 ISSUE FOR CONSTRUCTION
1.
2.
3.
4.
A8
SA055053

THESE DRAWINGS ARE THE PROPERTY OF SPRINT PCS. THEY ARE INTENDED FOR THE EXCLUSIVE USE OF THIS PROJECT ONLY. ANY RE-USE OF THESE PLANS (DRAWINGS) WITHOUT THE EXPRESS WRITTEN CONSENT OF SPRINT PCS IS PROHIBITED.

10/27/2005 11:05:15 AM jlmendez