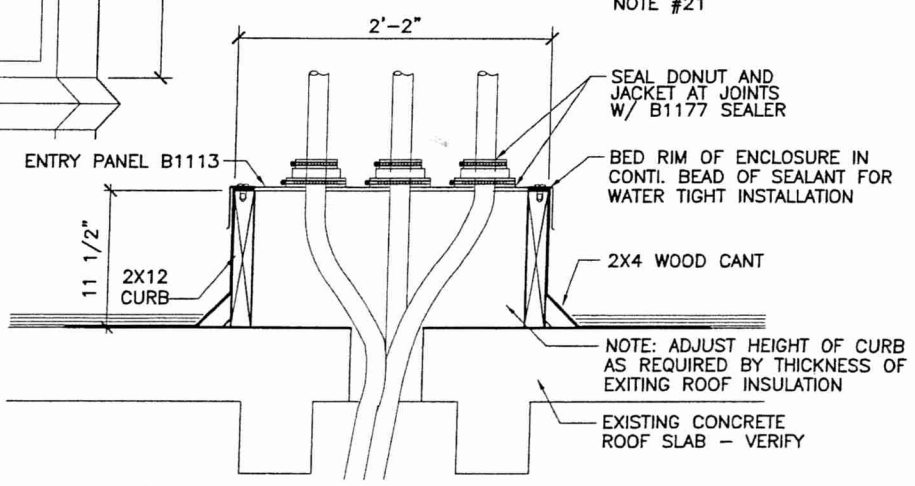


1 ANTENNA MOUNT ELEVATION
SCALE: 1/2" = 1'-0"



2 SECTION AT ROOF PENETRATION
SCALE: 3/4" = 1'-0"

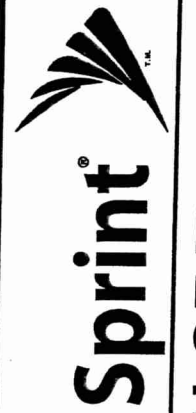
NOTE:
FLASHING & CANT STRIP SHALL
BE COMPATIBLE W/ EXISTING
ROOF SYSTEM - REPAIRS TO
BE MADE BY SUBCONTRACTOR
APPROVED BY BUILDING OWNER
- ROOF WARRANTY SHALL NOT
BE VOIDED - SEE GENERAL
NOTE #21

ArchComm Design, Inc. Architects
1840 Lockhill-Selma, Suite 101
San Antonio, Texas 78213
(210)308-9905

DATE: **OCT 28 2005**



EXP. DATE: 02/28/06



CHURCH OF THE REDEEMER
HO70XC83B
4411 2/3 DALLAS STREET, HOUSTON, TX 77023 (911 ADDRESS)

SHEET TITLE
ANTENNA MOUNT ELEVATION

SHEET HISTORY

10.28.05 ISSUE FOR CONSTRUCTION

- 1.
- 2.
- 3.
- 4.

A6.2

SA055053

THESE DRAWINGS ARE THE PROPERTY OF SPRINT PCS. THEY ARE INTENDED FOR THE EXCLUSIVE USE OF THIS PROJECT ONLY. ANY RE-USE OF THESE PLANS (DRAWINGS) WITHOUT THE EXPRESS WRITTEN CONSENT OF SPRINT PCS IS PROHIBITED.

C:\projects\04050503-FU\UXC883\ANTENNA MOUNT DETAILS.dwg, 10/27/2005 10:55:37 AM, jmenendez