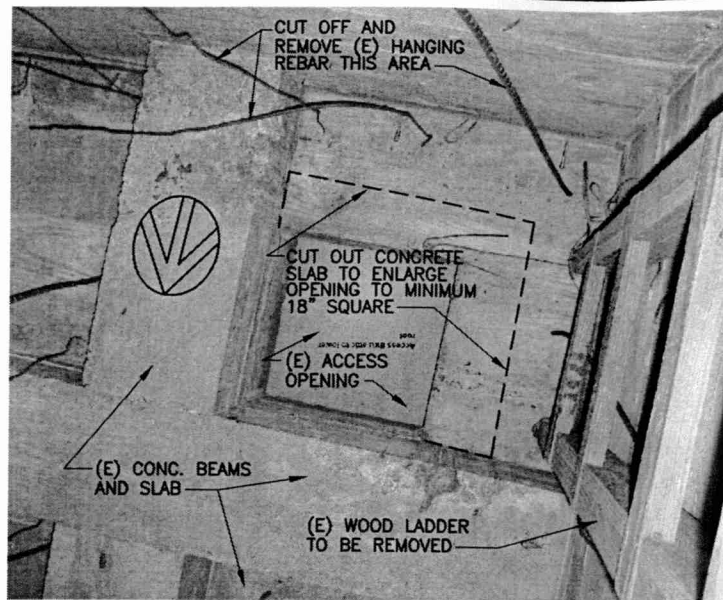
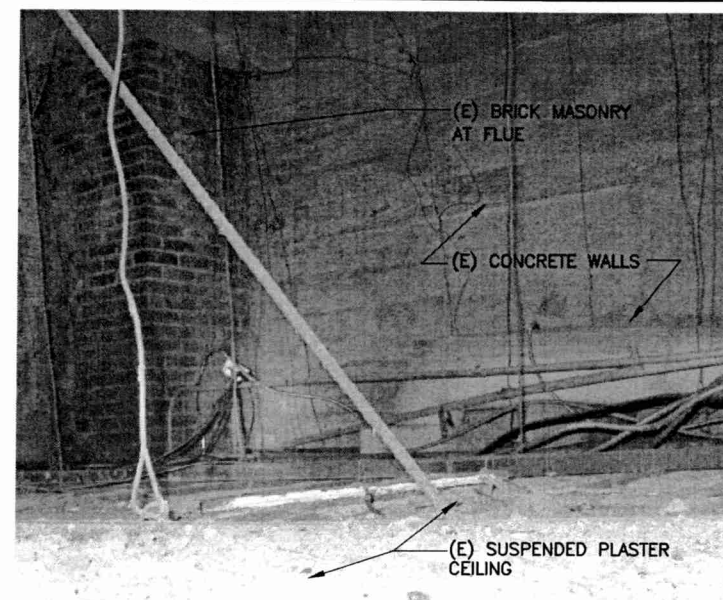


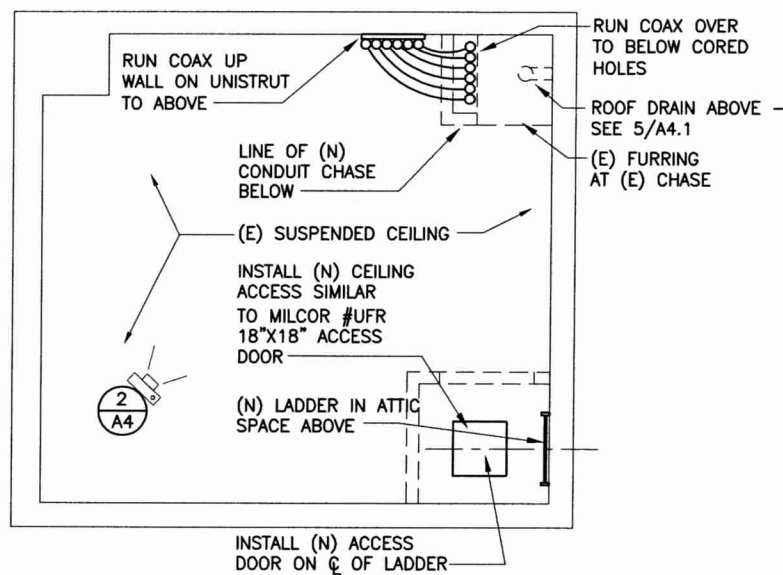
1 ATTIC DEMO PLAN
SCALE: 3/16" = 1'-0"
NORTH



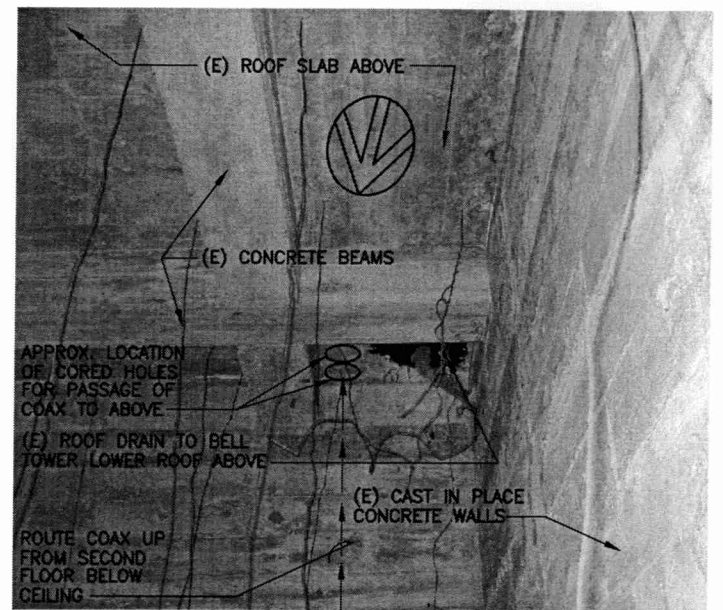
3 ATTIC SPACE @ 3rd. FLOOR
SCALE: NONE



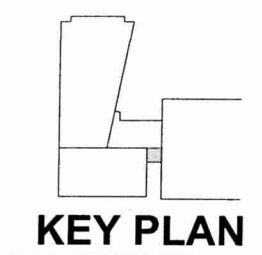
4 ATTIC SPACE @ 3rd. FLOOR
SCALE: NONE



2 ATTIC PLAN
SCALE: 3/16" = 1'-0"
NORTH



5 ATTIC SPACE @ 3rd. FLOOR
SCALE: NONE



ArchComm Design, Inc. Architects
1840 Lockhill-Selma, Suite 101
San Antonio, Texas 78213
(210)308-9905

DATE:



EXP. DATE: 02/28/06

THESE DRAWINGS ARE THE PROPERTY OF SPRINT PCS. THEY ARE INTENDED FOR THE EXCLUSIVE USE OF THIS PROJECT ONLY. ANY RE-USE OF THESE PLANS (DRAWINGS) WITHOUT THE EXPRESS WRITTEN CONSENT OF SPRINT PCS IS PROHIBITED.

Sprint

CHURCH OF THE REDEEMER
HO70XC883B
4411 2/3 DALLAS STREET, HOUSTON, TX 77023 (911 ADDRESS)

SHEET TITLE	
ATTIC PLAN	
SHEET HISTORY	
10.28.05	ISSUE FOR CONSTRUCTION
1.	
2.	
3.	
4.	
A4.1	
SA055053	